

Laundry Presses – Air operated

FPA1-WC, FPA2-WC, FPA3-WC



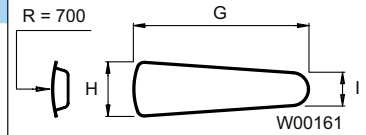
Features and benefits

- High temperature stainless steel polished head dries the fabric and gives it a flat finish
- High pressure achieves an excellent finish
- Adjustable pressure regulator for pressing different fabrics achieves an excellent finish
- Air operated reduces operator fatigue and allows high production output
- Two button closing improves operator safety
- High quality padding and cover for buck reduces impressions
- Easy installation and operation due to no vacuum needed and therefore no pedal

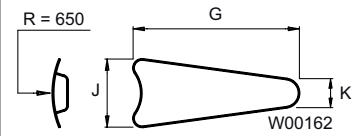
Main options

- Integral steam boiler – 9 kW
- Integral air compressor
- Electric steam iron
- Safety head guard (CE) improves operator safety
- Adjustable release timer simplifies the operation and ensures consistent results
- Water spray gun with support and condenser

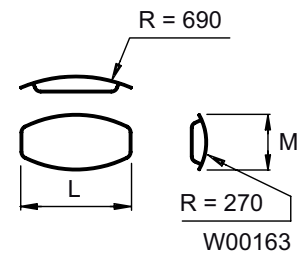
Electrical connections	Standard	Optional			
		Built-in boiler	Built-in air comp.	Electric steam iron	
Voltage, standard 208-240V 1 AC 50/60 Hz kW (A)	-	-	-	0.8 (6)	
Voltage, built-in boiler 230V 3 AC 50/60 Hz kW (A)	-	9 (25)	0.75	-	
Steam, air and vacuum connection					
Steam DN	15	-	15	15	
Rec. steam pressure kPa	700	-	700	700	
Steam consumption kg/h	20	-	20	20	
Condensate DN	15	-	15	15	
Compressed air DN	10	10	-	10	
Rec. air pressure kPa	700	700	-	700	
Air consumption l/min	6 l/cycle				
Shipping data					
	net, kg	326	+ 46	+ 46	+ 6
	crated, kg	356	+ 46	+ 46	+ 6
Dimensions in mm					
A Width		1250	1250	1250	1250
B Depth		920	920	920	920
C Height		1250	1250	1250	1250
D		1450	1450	1450	1450
E		800	800	800	800
F		1030	1030	1030	1030
G		1190	1190	1190	1190
H		360	360	360	360
I		220	220	220	220
J		470	470	470	470
K		205	205	205	205
L		520	520	520	520
M		260	260	260	260
N		1490	1490	1490	1490
1 Control panel	4 Condensate	7 Boiler drain (built-in boiler)			
2 Electrical connection	5 Compressed air				
3 Steam connection	6 Water supply (built-in boiler)				



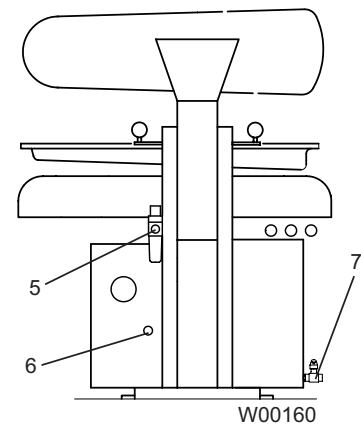
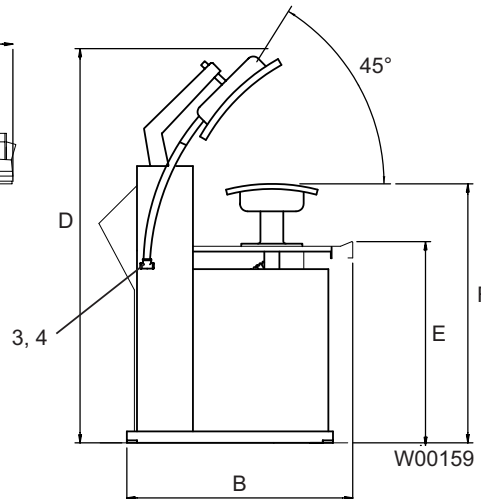
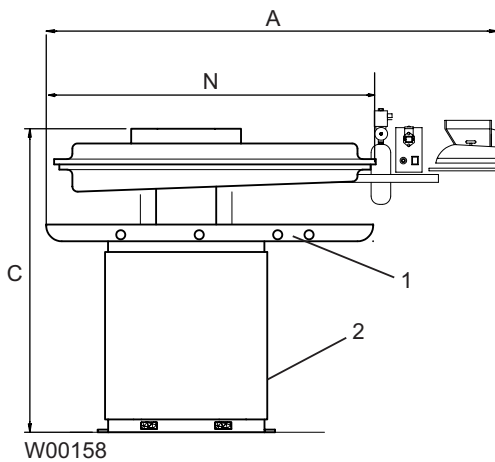
Utility shape
FPA1-WC shown



Utility/legger shape
FPA2-WC shown



Mushroom shape
FPA3-WC shown



Thinking of you
Electrolux