



# Barrier washers, Evolution range

## WSB5180H, WSB5250H, WSB5350H

### Features and benefits

- Pass-through construction to offer the best ergonomics in barrier installations
- External doors with vertical hinges and 175° opening, easy to handle and reversible
- Automatic drum positioning and locking for the loading and unloading operation, offering the best ergonomics and safety for the operators
- Large inner drum doors to make loading and unloading operation easiest than ever
- Compass Pro® controller with a user friendly interface to make the operator's life easy allowing 40 factory and 15 customised wash programs
- Compatible with up to 16 detergent signals as standard to stand the most complicated wash programs
- Suspended construction allowing a 350G extraction to save energy during the drying process
- Feature the Power Balance from Electrolux that ensures the best extraction whatever the loading conditions are
- New lifters for a better wash result
- Easy program customization via the LPM software from Electrolux

### Main options

- End of cycle alarm to give operators the best information
- Double display to better handle the process on the clean side of the laundry
- 4 compartments soap box to use liquid or powder and give detergents
- Stainless steel body to better stand the aggressive environments
- Integrated weighing system to optimise the loading operations
- 3rd water inlet valve to use soft water



Images shown are a representation of the product only and variations may occur.

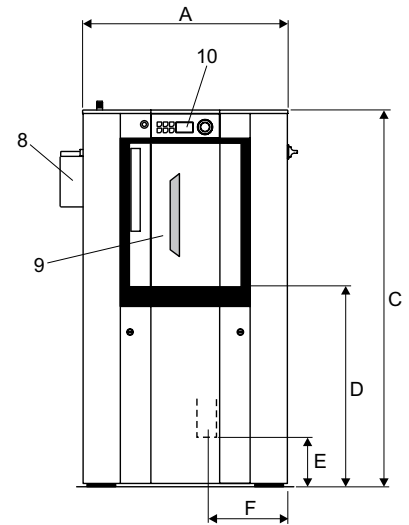
Main specifications				WSB5180H			WSB5250H			WSB5350H			
Max. capacity	filling factor 1:10	kg/lb		18/40			25/55			35/77			
	filling factor 1:11	kg/lb		20/44			27/60			38/84			
Drum,	volume	litre		180			250			350			
	diameter	ø mm		770			770			770			
Extraction		rpm		910			910			910			
G-factor				350			350			350			
Heating alternatives, 380-400V	electricity	kW		13.5			18			27			
	steam	kg/h		9			12			16			
	gas	Btu/h		136600			136600			136600			
<b>Consumption data "Cotton eco" *</b>				El	Steam	Gas	El	Steam	Gas	El	Steam	Gas	
Water consumption (cold)				litre	165	165	185	230	230	250	322	322	342
Energy consumption (motor/heating)				kWh	N/A	0.5	0.7	6	0.6	0.8	9.2	0.7	0.95
Steam consumption				kg	-	9	-	-	12	-	-	16	-

\* 1 wash, 2 rinses.

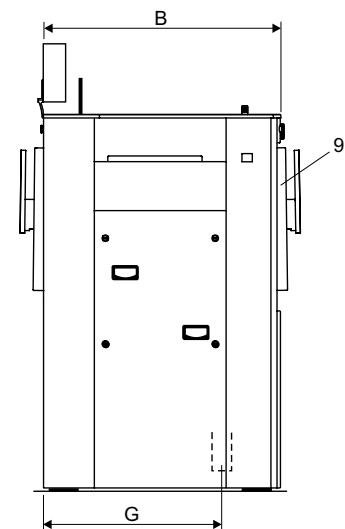


Electrical connections*		WSB5180H	WSB5250H	WSB5350H	
<b>Heating Voltage</b>					
EI.	400-415V 3 AC 50 Hz	kW(A)	18 (26)	22.5 (33)	31.5 (46)
Steam	400-415V 3 AC 50 Hz	kW(A)	4.5 (7)	4.5 (7)	4.5 (7)
Gas	400-415V 3 AC 50 Hz	kW(A)	4.8 (7)	4.8 (7)	4.8 (7)
<b>Water, steam, gas and air connections</b>					
Water valves	DN	20	20	20	
Water pressure	kPa	50-300	50-300	50-300	
Capacity at 250 kPa	l/min	70	70	70	
Drain valve	ø mm	75	75	75	
Draining capacity	l/min	240	240	240	
Steam valve	DN	20	20	20	
Steam pressure	kPa	100-600	100-600	100-600	
Gas valve	DN	20	20	20	
Gas evacuation	ø mm	125	125	125	
<b>Floor requirements</b>					
Frequency of the dynamic force	Hz	15.2	15.2	15.2	
<b>Sound levels</b>					
Airborne sound level	dB(A)	72	72	72	
<b>Heat emission</b>					
% of installed power, max		3	3	3	
<b>Shipping data</b>					
	net, kg	670	710	770	
	crated, kg	820	860	920	
Shipping volume	m <sup>3</sup>	2.34	2.77	3.38	
<b>Dimensions in mm</b>					
<b>A</b>	Width	895	1050	1270	
<b>B</b>	Depth	1040	1050	1060	
<b>C</b>	Height	1620	1620	1620	
<b>D</b>		850	850	850	
<b>E</b>		215	215	215	
<b>F</b>		360	440	550	
<b>G</b>		780	780	780	
<b>1</b>	Electrical connection	<b>7</b>	Liquid detergent inlet		
<b>2</b>	Cold hard water	<b>8</b>	Detergent container		
<b>3</b>	Hot water	<b>9</b>	Loading door		
<b>4</b>	Cold soft water	<b>10</b>	Control panel		
<b>5</b>	Steam connection	<b>11</b>	Air vent connection		
<b>6</b>	Drain				

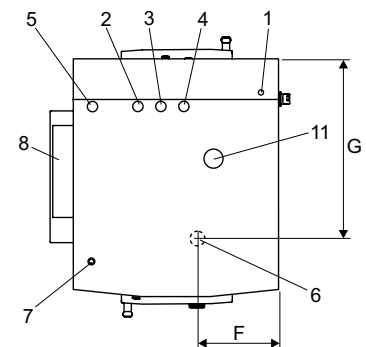
\* Other voltages available, see installation manual.



Front view



Side view



Top view