



Tumble dryer

T5290

Features and benefits

- Axial airflow and tight construction gives low energy consumption
- High productivity - 2 full loads per hour
- Large door opening for easy loading and unloading
- Easy and ergonomic access to the lint screen
- Excellent water evaporation efficiency per kWh
- The coin version with Ecopower to avoid over drying of the garments and get a lower energy consumption
- With Compass Pro program control
 - Large and clear display with control knob for easy program selection
 - Easy access with user-friendly interface
 - Language selection
 - Drying program packages optimized for Economy, Care and Time
 - Service program for adjustment of parameters
 - USB connection

Main options

- Stainless steel front
- Stainless steel drum
- Residual Moisture Control - RMC
- Connection to booking- /payment- system or coin meter
- Reversing drum
- Emergency stop button
- Supply disconnecter
- Frequency controlled motor

Accessories

- Fresh air intake
- Exhaust on top
- Insert for drying special equipment
- Heat exchanger



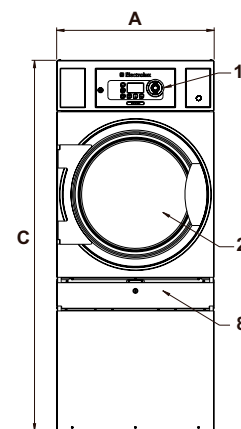
Images shown are a representation of the product only and variations may occur.

Main specifications			T5290			
Rated capacity,	filling factor 1:18	kg/lb	16.1/35.5			
	filling factor 1:22	kg/lb	13.2/29.1			
Drum volume		litre	290			
Drum diameter		mm	680			
Heating alternatives	electric	kW	13.5/18			
	gas	BTU/h (kW)	71 700 (21)			
	steam at 600-700 kPa	kW	23			
Consumption data*			13.5 kW	18 kW	Gas	Steam
Total time at 13.2 kg		min	27	22	20	19
Energy consumption at 13.2 kg		kWh	6.33	6.37	7.01	9.04
Evaporation		g/min	244	303	328	348
Energy kWh/litre water evaporated		kWh/l	0.96	0.97	1.06	1.37

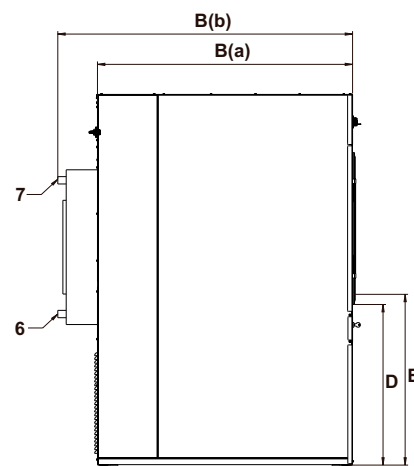
* At rated capacity 100% cotton load at 50% initial moisture dried to 0%.



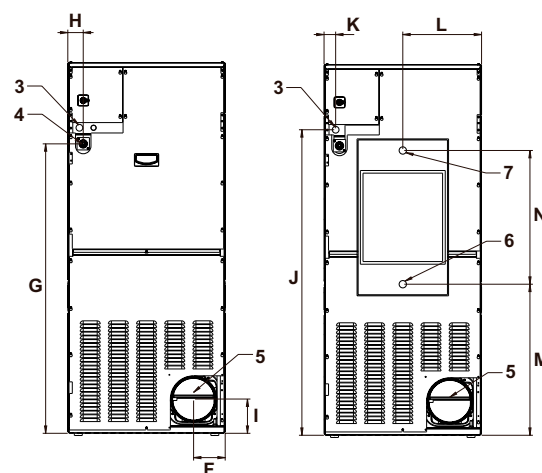
Electrical connections			T5290
Heating Voltage			
El.	380-415V 3/3N AC 50/60 Hz	kW(A)	14.5 (25)
	380-415V 3/3N AC 50/60 Hz	kW(A)	18.9 (35)
	440-480V 3AC 60 Hz	kW(A)	14.5 (20)
	440-480V 3AC 60 Hz	kW(A)	19.0 (25)
	230-240V 3AC 50/60 Hz	kW(A)	19.0 (50)
	230-240V 3AC 50/60 Hz	kW(A)	14.5 (50)
	230-240V 1AC 50/60 Hz	kW(A)	14.3 (63)
	230V 1AC 50/60 Hz	kW(A)	18.8 (100)
Gas/ steam	240V 1AC 50/60 Hz	kW(A)	18.8 (80)
	380-415V 3/3N AC 50/60 Hz	kW(A)	1.0 (10)
	440-480V 3AC 60 Hz	kW(A)	1.0 (10)
	230-240V 3AC 50/60 Hz	kW(A)	1.0 (10)
230-240V 1AC 50/60 Hz	kW(A)	1.0 (10)	
Steam, gas and air connections			
Steam	ISO 7/1-R		1"
Steam pressure	kPa		100-1000
Steam consumption	kg/h		65
Condensate	ISO 7/1-R		1"
Gas	NG/PG	ISO 7/1-R	1/2"
Gas pressure	Natural gas	Pa	2000
		mbar	20
		Propane	Pa
		mbar	28-37
Air outlet		ø mm	200
Maximum air flow:			
	Electric 50 Hz / 60 Hz	m³/h	550 / 550
	Gas 50 Hz / 60 Hz	m³/h	610 / 610
	Steam 50 Hz / 60 Hz	m³/h	690 / 690
Maximum static back pressure:			
	Electric 50 Hz / 60 Hz	Pa	400 / 700
	Gas 50 Hz / 60 Hz	Pa	400 / 700
	Steam 50 Hz / 60 Hz	Pa	600 / 1100
Sound levels			
Airborne sound leveldB(A)			<70
Heat emission			
% of installed power, max			15
Shipping data (el/steam/gas)			
	net, kg		220
	crated, kg		235
	boxed, kg		330
Shipping volume	crated, m³		1.72
Dimensions in mm			
A	Width		710
B(a)	Depth		1155
B(b)	Depth		1335
C	Height		1675
D			725
E			780
F			140
G			1310
H			70
I			155
J			1380
K			55
L			355
M			685
N			605
1	Control panel		
2	Door opening ø 580 mm		
3	Electrical connection		
4	Gas connection		
5	Exhaust connection		
6	Condensate connection		
7	Steam connection		
8	Lint screen		



Front



Left side



El, gas

Steam

Rear side

* Maximum consumed air when the machine is optimally installed.